



Columbia Aluminum Products, LLC

7020 E. Slauson Ave., City of Commerce, CA 90040-3621

Ph: 800-443-6677 - Fax: 323-724-9146

www.columbiaaluminumproductslist.com

FABRICATION OPTIONS

(See Price List for Fabrication Charges)

CENTER MULLION (MULLION ROUT)

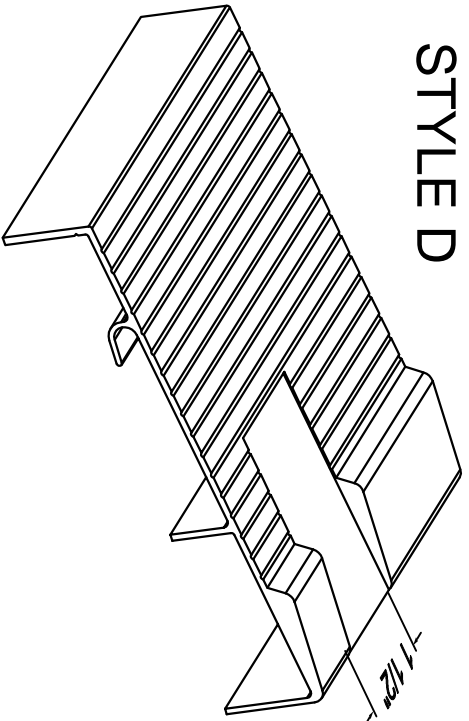
Used for Pre-Hung assemblies when door frame, lites and sills are to be constructed prior to installation at the job site.

How to Order: State exact net length size and placement on millout from outside looking in (reading left to right) and Style D (e.g. 3059 64 1/2" net 3/4" -12" - 1 1/2" - 36" - 12 3/4" Style D)

Customer: _____

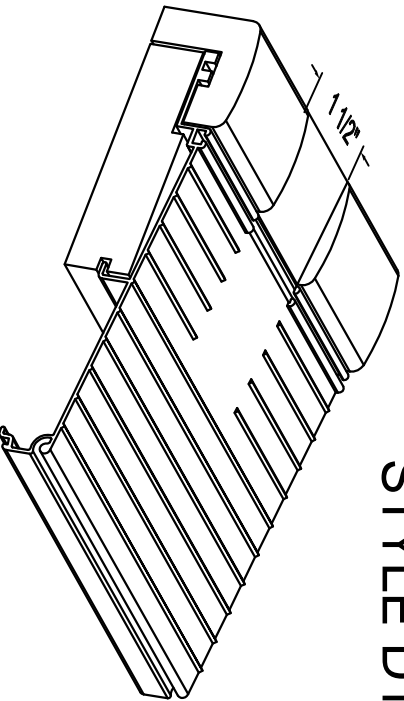
Date: _____

Approved By: _____



STYLE D

STYLE D1



MULLION ROUT

Route Oak Riser and Nosing to allow Mullion to fit into Sill

Customer: _____

Date: _____

Approved By: _____