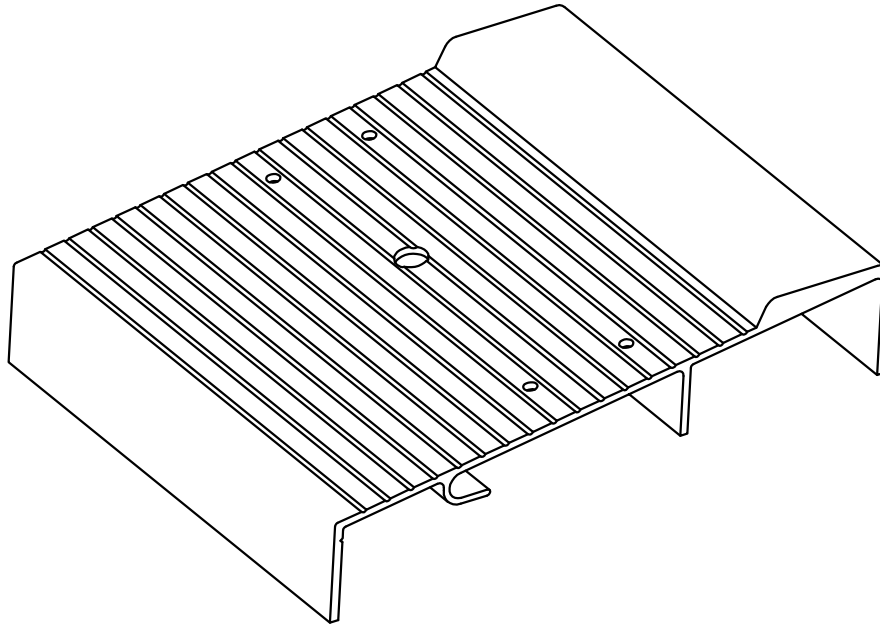




Columbia Aluminum Products, LLC

7020 E. Slauson Ave., City of Commerce, CA 90040-3621
Ph: 800-443-6677 - Fax: 323-724-9146

STYLE B



NAIL-ON RABBET JAMB

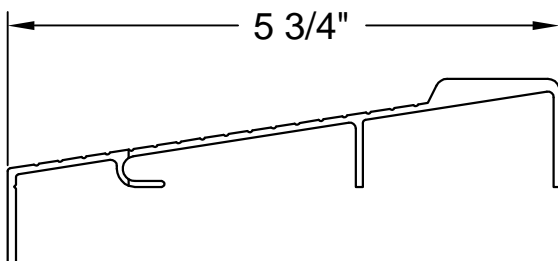
For wood door frames using nails or screws to secure jambs to the aluminum sills.

HOW TO ORDER: State exact net length.

Pairs with 3441 T-Bolt Astragal - Add $\frac{1}{2}$ " to door opening (if not already allowed).

INSTALLATION: Cut door stop to match slope of sill (6 or 9 degrees).

Standard Holes: One center screw hole for door opening on the slope. Two (2) $\frac{1}{8}$ " Dia. nail holes each end



Customer: _____

Date: _____

Approved By: _____