

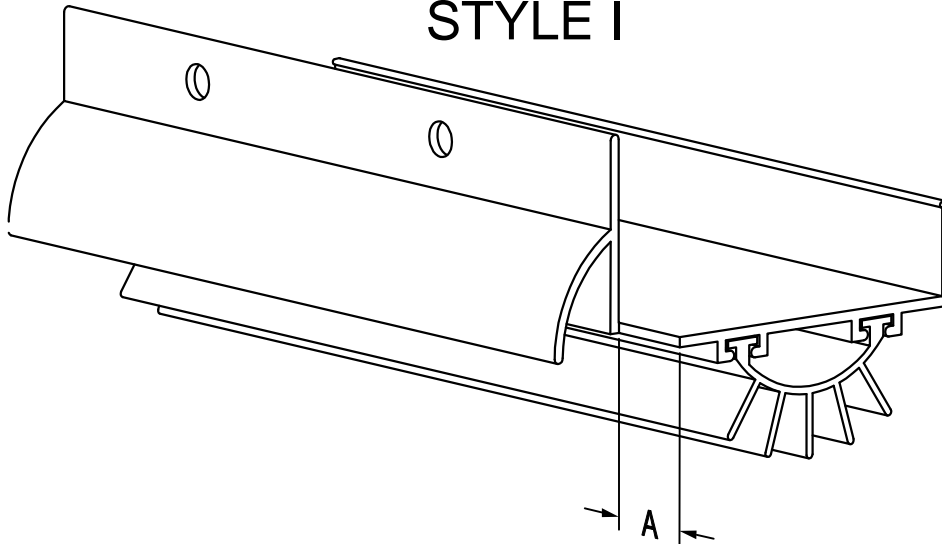


# Columbia Aluminum Products, LLC

7020 E. Slauson Ave., City of Commerce, CA 90040-3621  
 Ph: 800-443-6677 - Fax: 323-724-9146

## FABRICATION OPTIONS (See Price List for Fabrication Charges)

### STYLE I

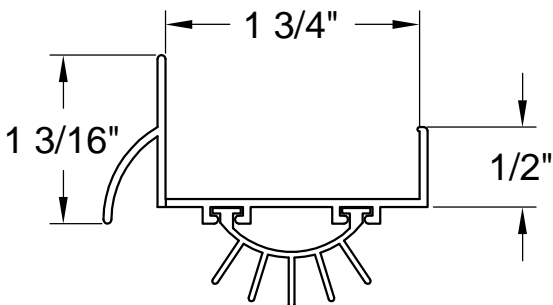


### FULL NOTCH DOOR BOTTOM

Removal of Rain Drip and Front Flange to prevent interference with door stop and weatherstrip.

Notch Sizes:  $\frac{1}{2}$ " ,  $\frac{9}{16}$ " ,  $\frac{5}{8}$ " ,  $\frac{3}{4}$ " ,  $\frac{13}{16}$ "

How to Order		
Qty.	Net Length	Notch Size(A)



Customer: \_\_\_\_\_

Date: \_\_\_\_\_

Approved By: \_\_\_\_\_